

Galaxy Single-Element Cartridge Filter

DELIVER OPTIMAL SPARKLING CLEAR WATER

For residential pool and spa



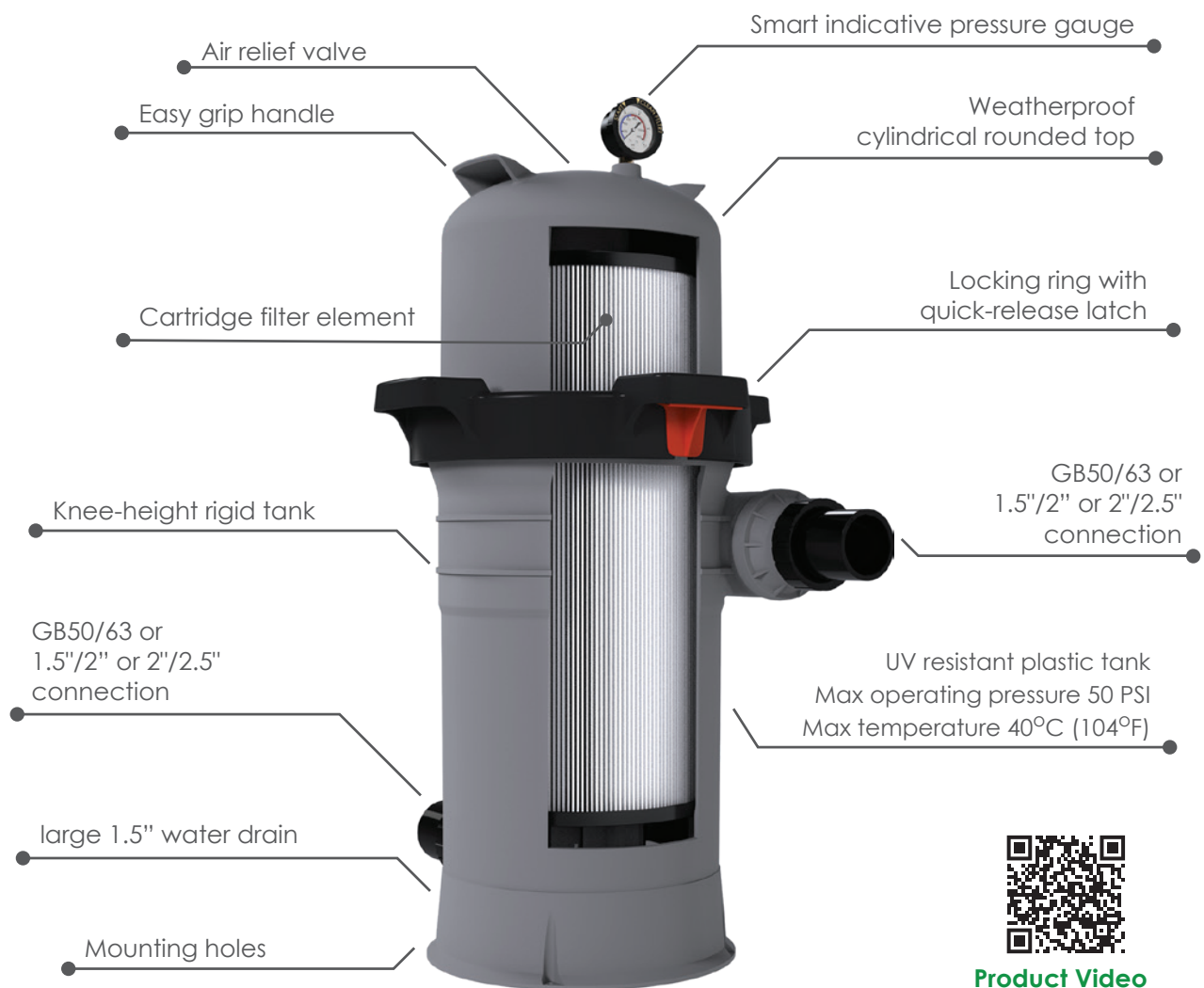
 **Emaux**
water technology

Pool & Spa Equipment

Product Features

Deliver Optimal Sparkling Clear Water

Galaxy Single-Element Cartridge Filter is built with high-strength and UV-resistant material to prolong the product life. The compact and low height design is suitable for any pool especially with limited system setup space. The extensive dirt-catching capability of the filter element makes this filter highly efficient. A reliable choice for crystal clear water.



User friendly

- 4 x mounting holes
- Easy-grip lid handle
- Indicative pressure gauge tells you when to service
- Knee-height tank base facilitates easy cartridge replacement

Trouble-free maintenance

- Locking ring with quick-release latch allows removing and installing the top tank quickly.
- Large water drain makes fast and easy winterisation.
- Simple cleaning and rinsing the filter element with a garden hose.

Eco-Friendly

Big one-piece cartridge element provides a large filtration surface for trapping more dirt and debris. Less cleaning required, and unlike sand filters, needs no backwashing thus saving water and its precious chemicals.



Product Information:

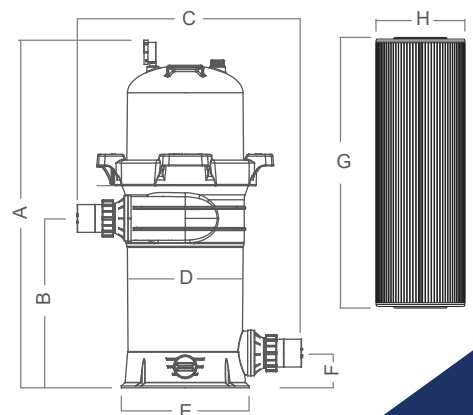
Code	Model with Standard Element	Code	Model with Anti-microbial Element	Filter Area		Flow Velocity		Max Flow Rate			In / Outlet Connections		A mm	B mm	C mm	D mm	E mm	F mm
				ft ²	m ²	gpm/ft ²	m ³ /h/m ²	gpm	lpm	m ³ /h	GB(mm)	ANSI						
9140401	ICF100	9140409	ICF100S	100	9.29	1.0	2.443	100	379	22.7	GB50	1.5"/2"	825	444.5	588	304	335	91
											GB63	2"/2.5"						
9140402	ICF150	9140410	ICF150S	150	13.94	0.8	1.955	120	454	27.2	GB50	1.5"/2"	910	444.5	588	304	335	91
											GB63	2"/2.5"						
9140403	ICF200	9140411	ICF200S	200	18.58	0.6	1.466	120	454	27.2	GB50	1.5"/2"	1033	444.5	588	304	335	91
											GB63	2"/2.5"						

Cartridge Filter Element:

Code	Model (Standard)	Code	Model (Anti-microbial Element)	G mm	H mm	Micron μ m	Fold Number
914100004	ICF100-CE	914100018	ICF100S-CE	497	Ø267	15	137
914100005	ICF150-CE	914100019	ICF150S-CE	590	Ø267	15	172
914100006	ICF200-CE	914100020	ICF200S-CE	717	Ø267	15	187

Galaxy Series Filter is equipped with :

1. universal standard of union connection
2. pressure gauge
3. cartridge filter element



EMAUX WATER TECHNOLOGY CO., LTD

ADDRESS: Flat A-D, 20/F., Kai Bo 22, 22 Wing Kin Road,
Kwai Chung, HK

PHONE +852 2832 9880

www.emauxgroup.com

 **YOUR PREMIER SUPPLIER**

Available from:

ALL SPECIFICATIONS ARE SUBJECT TO CHANGE WITHOUT NOTICE.
© 2022 EMAUX WATER TECHNOLOGY CO., LTD. ALL RIGHTS RESERVED.

www.emauxgroup.com