

FLEX Valve Actuator

HIGH ACCURACY AND CONSISTENCY

For a reliable automatic control



Emaux
water technology
FLEX VALVE ACTUATOR
FLEX-ACT INPUT: 24VAC 0.75A 50/60Hz
Caution:
Disconnect electrical power before removing the
cover for servicing unit.
Always reassemble having a qualified professional
install this product.
www.emauxgroup.com/
IPX4
CE
EMF9203710A

 **Emaux**
water technology

Pool & Spa Equipment

Product Features

AUTOMATION WITH HIGH FLEXIBILITY

Emaux FLEX Valve Actuator is a universal 24-Volt actuator that can work with other manufacturers' automatic controls on 2-way and 3-way valves. Adjustable cam gives high flexibility for accurate positioning. Slim design with corrosion-proof casing. When paired with Emaux FLEX 2-way and 3-way valves, it provides the user with reliable automation over valve control.



Advantages:



Compatibility

Universal design is compatible with other manufacturers' automatic controls and valves.

Friendly & Modern design

1. Easy to assemble and set up.
2. IPX4 corrosion-proof casing



Flexibility

1. The cam is adjustable at every 12.8 degrees.
2. Customized water flow control.



Valve Actuator Material

PC

Voltage

24V AC

Cable Length

6m (18ft)

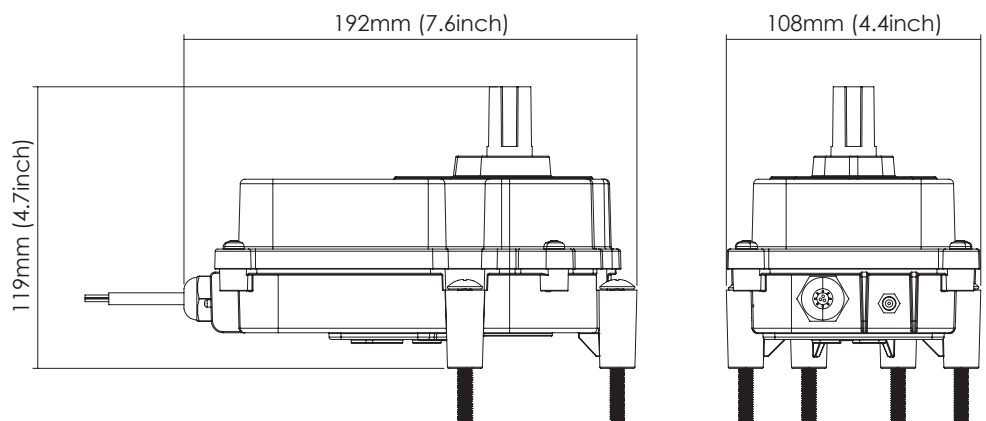


Product Features:

- Designed for reliable control of 2-way and 3-way diverter valves for pool, spa, and water features.
- Automatic adjustment of water flow.
- Compatible with most of the pool automatic control systems.



Product Dimensions:



Product Information:

Code	Model	Voltage	Cycles	Wire	Cable Length
91609013	FLEX -ACT	24V AC	50/60Hz	3-conductor Black (Common) Red (Switch Leg) White (Switch Leg)	6m (18ft)

EMAUX WATER TECHNOLOGY CO., LTD

ADDRESS: Flat A-D, 20/F., Kai Bo 22, 22 Wing Kin Road,
Kwai Chung, HK

PHONE +852 2832 9880

www.emauxgroup.com

 **YOUR PREMIER SUPPLIER**

Available from:

ALL SPECIFICATIONS ARE SUBJECT TO CHANGE WITHOUT NOTICE.
© EMAUX WATER TECHNOLOGY CO., LTD. ALL RIGHTS RESERVED.

www.emauxgroup.com